

# TEEC

TELECENTRIC LENS SERIES  
for MACHINE VISION



# TEC V-SERIES

TELECENTRIC LENS

- ▶ Compatible with 5MP sensors on 1" cameras
- ▶ Versatile four-lens lineup designed for 65mm and 110mm WD (working distance)
- ▶ 0.5x and 1.0x magnification options available
- ▶ Low TV distortion correction up to the furthest corner (0.01 ~ 0.02s%)

## WD-65mm

### TEC-V0565MPW



Model	TEC-V0565MPW
Format	1"φ16mm
Magnification	0.5x
Working Distance	65.2mm
Resolving Power *1	12μm
Depth of Field *2	2.88mm
NA	0.027
Effective F number	9.0
TV Distortion	-0.014%

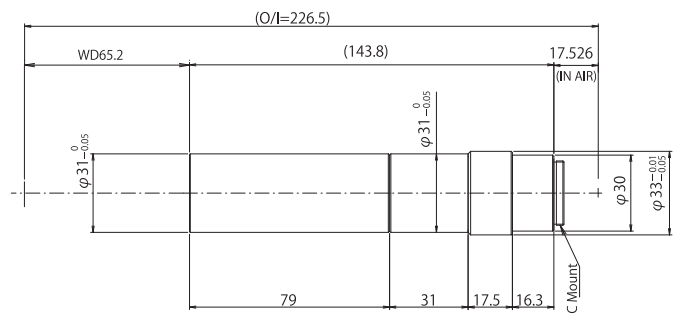
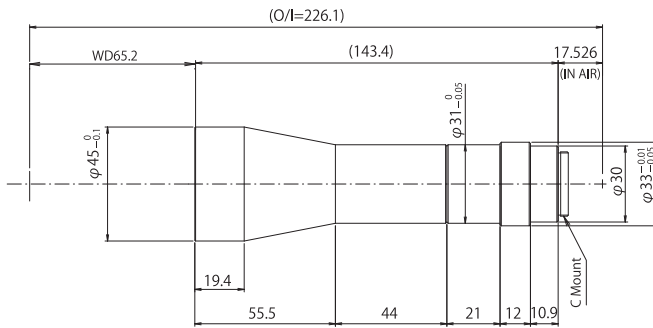
Field of View	1inch	25.6 x 19.2mm
	2/3inch	17.6 x 13.2mm
	1/1.8inch	14.4 x 10.8mm
	1/2inch	12.8 x 9.6mm
Mount	C-mount	
Weight	189g	

### TEC-V1065MPW



Model	TEC-V1065MPW
Format	1"φ16mm
Magnification	1x
Working Distance	65.2mm
Resolving Power *1	6μm
Depth of Field *2	0.72mm
NA	0.055
Effective F number	9.0
TV Distortion	-0.023%

Field of View	1inch	12.8 x 9.6mm
	2/3inch	8.8 x 6.6mm
	1/1.8inch	7.2 x 5.4mm
	1/2inch	6.4 x 4.8mm
Mount	C-mount	
Weight	158g	



## WD-110mm

### TEC-V05110MPW



Model	TEC-V05110MPW
Format	1"φ16mm
Magnification	0.5x
Working Distance	110.2mm
Resolving Power *1	12μm
Depth of Field *2	2.88mm
NA	0.027
Effective F number	9.0
TV Distortion	0.012%

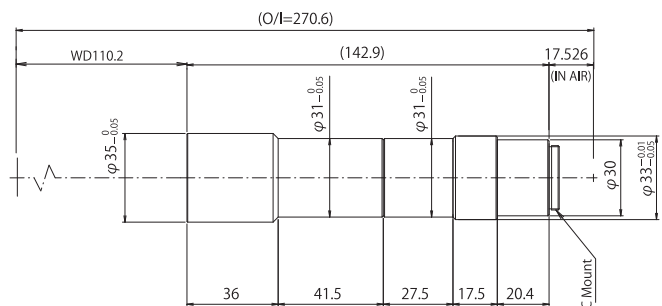
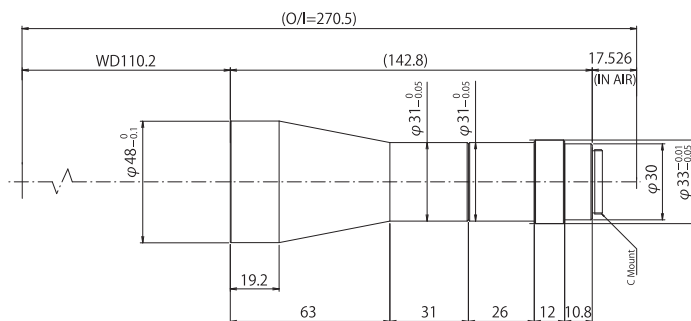
Field of View	1inch	25.6 x 19.2mm
	2/3inch	17.6 x 13.2mm
	1/1.8inch	14.4 x 10.8mm
	1/2inch	12.8 x 9.6mm
Mount	C-mount	
Weight	197g	

### TEC-V10110MPW



Model	TEC-V10110MPW
Format	1"φ16mm
Magnification	1x
Working Distance	110.2mm
Resolving Power *1	6μm
Depth of Field *2	0.72mm
NA	0.055
Effective F number	9.0
TV Distortion	0.015%

Field of View	1inch	12.8 x 9.6mm
	2/3inch	8.8 x 6.6mm
	1/1.8inch	7.2 x 5.4mm
	1/2inch	6.4 x 4.8mm
Mount	C-mount	
Weight	159g	



\* 1 : Theoretical resolution calculated with a wavelength of 550nm

\* 2 : Value calculated with a permissible circle of confusion of 40μm

# TEC M-SERIES

TELECENTRIC LENS

- ▶ Compatible with 2MP sensors on 2/3" cameras
- ▶ A wide variety of magnification options available (65mm WD - 0.5x, 0.8x, 1.0x, 2.0x, 110mm WD - 0.3x, 0.5x, 0.8x, 1.0x, 1.5x, 2.0x) which include coaxial models
- ▶ Low TV distortion correction to the furthest corner (0.01 ~ 0.03s%)

## WD-65mm

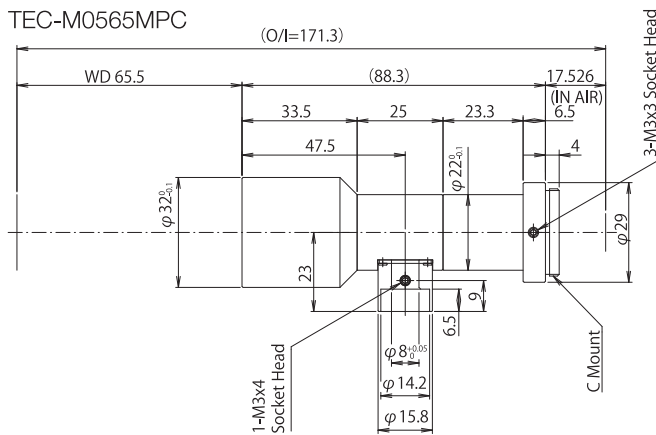
### TEC-M0565MPC / TEC-M0565MP



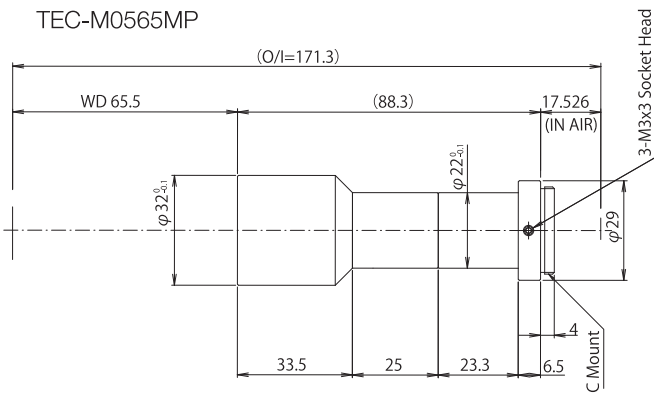
Model (with coaxial type)	TEC-M0565MPC
Model (straight type)	TEC-M0565MP
Format	2/3"φ11mm
Magnification	0.5x
Working Distance	65.5mm
Resolving Power *1	12μm
Depth of Field *2	2.87mm
NA	0.028
Effective F number	9
TV Distortion	-0.012%

Field of View	2/3inch	17.6 x 13.2mm
	1/1.8inch	14.35 x 10.64mm
	1/2inch	12.8 x 9.6mm
	1/3inch	9.6 x 7.2mm
Mount	C-mount	
Weight (with coaxial type)	80g	
Weight (straight type)	77g	

TEC-M0565MPC



TEC-M0565MP



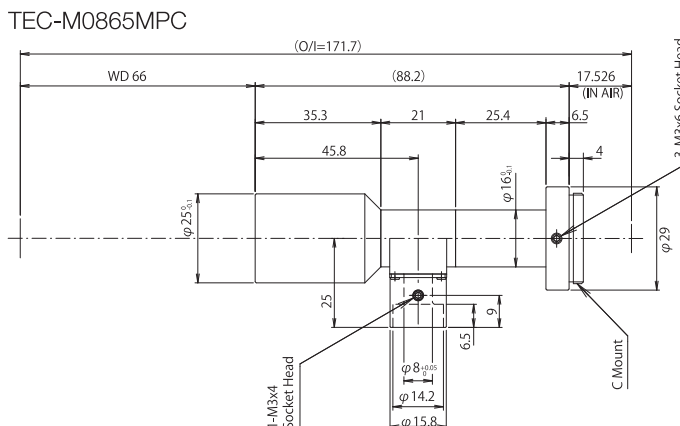
### TEC-M0865MPC / TEC-M0865MP



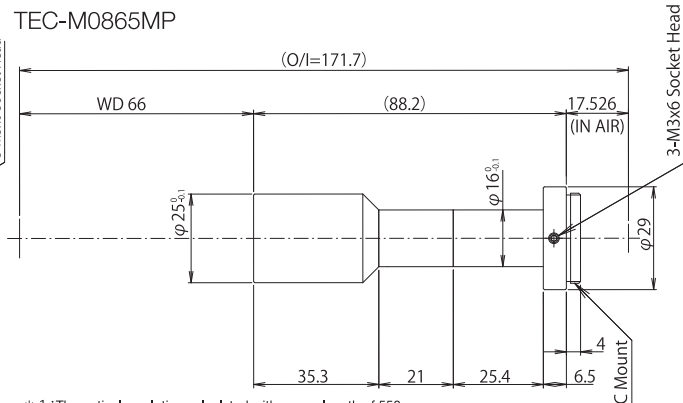
Model (with coaxial type)	TEC-M0865MPC
Model (straight type)	TEC-M0865MP
Format	2/3"φ11mm
Magnification	0.8x
Working Distance	66mm
Resolving Power *1	8μm
Depth of Field *2	1.18mm
NA	0.042
Effective F number	9.4
TV Distortion	0.008%

Field of View	2/3inch	11 x 8.25mm
	1/1.8inch	8.97 x 6.65mm
	1/2inch	8 x 6mm
	1/3inch	6 x 4.5mm
Mount	C-mount	
Weight (with coaxial type)	62g	
Weight (straight type)	57g	

TEC-M0865MPC



TEC-M0865MP



\* 1 : Theoretical resolution calculated with a wavelength of 550nm  
 \* 2 : Value calculated with a permissible circle of confusion of 40μm

# TEC M-SERIES

WD-65mm

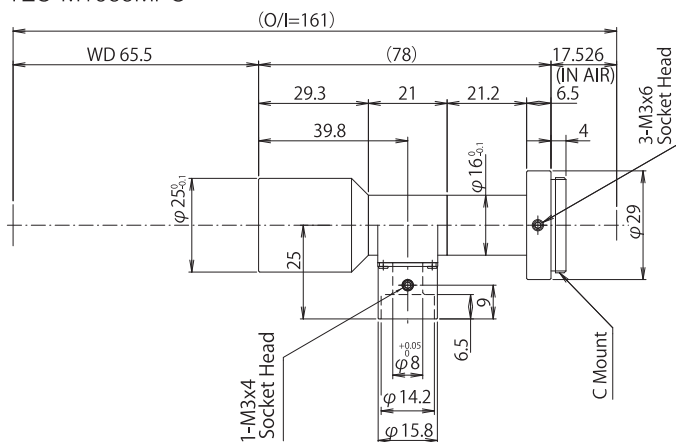
## TEC-M1065MPC / TEC-M1065MP



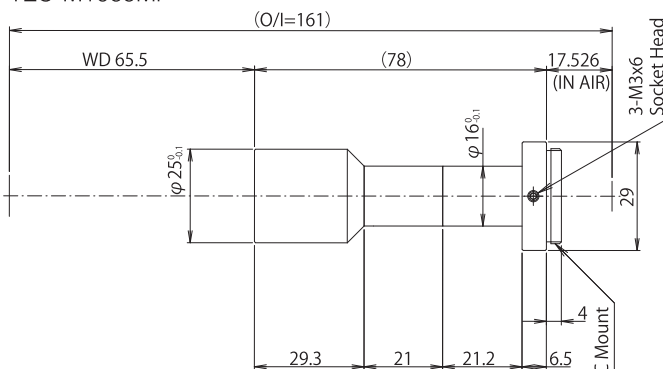
Model (with coaxial type)	TEC-M1065MPC
Model (straight type)	TEC-M1065MP
Format	2/3"φ11mm
Magnification	1x
Working Distance	65.5mm
Resolving Power *1	6.7um
Depth of Field *2	0.79mm
NA	0.05
Effective F number	9.8
TV Distortion	-0.022%

Field of View	2/3inch	8.8 x 6.6mm
	1/1.8inch	7.18 x 5.32mm
	1/2inch	6.4 x 4.8mm
	1/3inch	4.8 x 3.6mm
Mount	C-mount	
Weight (with coaxial type)	54g	
Weight (straight type)	49g	

TEC-M1065MPC



TEC-M1065MP



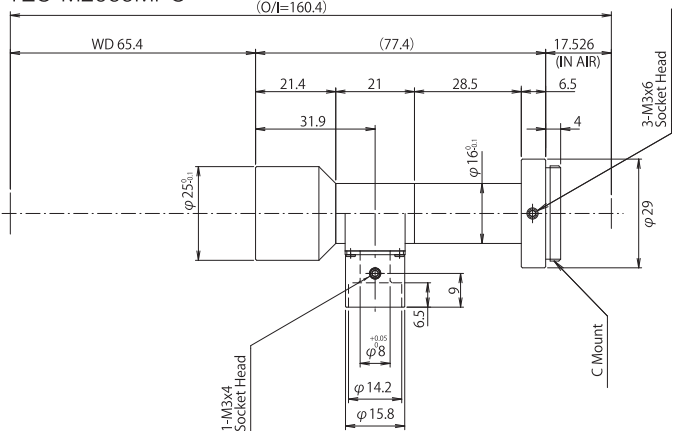
## TEC-M2065MPC / TEC-M2065MP



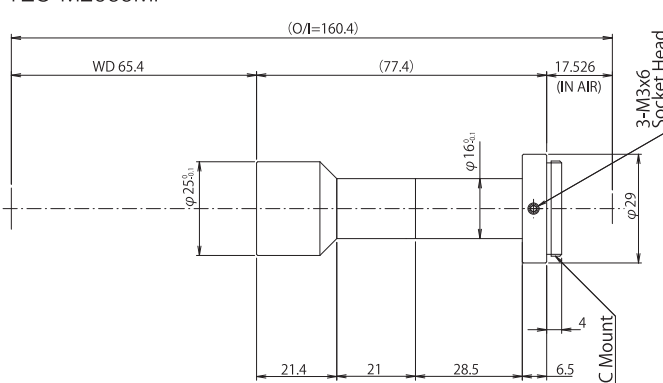
Model (with coaxial type)	TEC-M2065MPC
Model (straight type)	TEC-M2065MP
Format	2/3"φ11mm
Magnification	2x
Working Distance	65.4mm
Resolving Power *1	4.4um
Depth of Field *2	0.26mm
NA	0.076
Effective F number	12.8
TV Distortion	0.020%

Field of View	2/3inch	4.4 x 3.3mm
	1/1.8inch	3.59 x 2.66mm
	1/2inch	3.2 x 2.4mm
	1/3inch	2.4 x 1.8mm
Mount	C-mount	
Weight (with coaxial type)	55g	
Weight (straight type)	49g	

TEC-M2065MPC



TEC-M2065MP



\* 1 : Theoretical resolution calculated with a wavelength of 550nm  
 \* 2 : Value calculated with a permissible circle of confusion of 40um



## WD-110mm

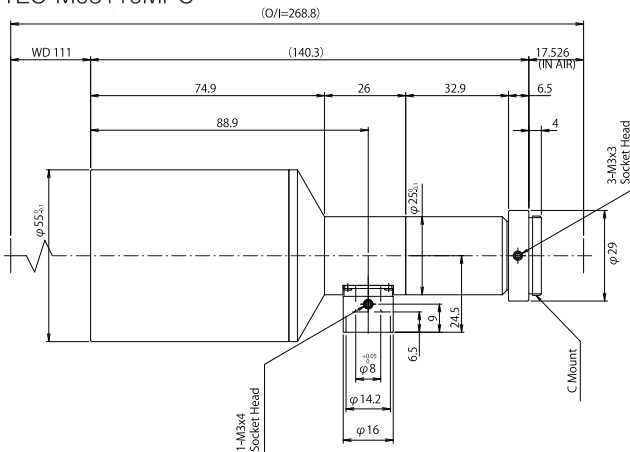
### TEC-M03110MPC / TEC-M03110MP



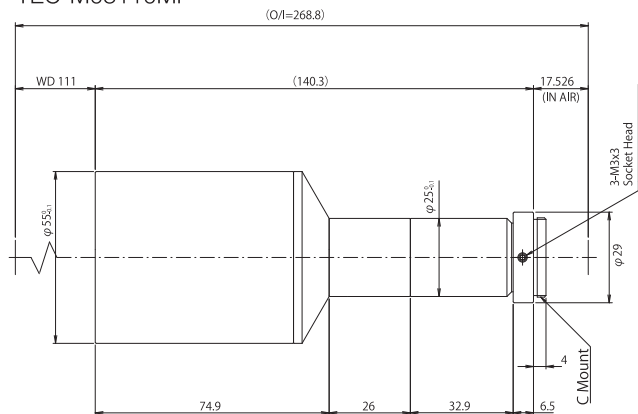
Model (with coaxial type)	TEC-M03110MPC
Model (straight type)	TEC-M03110MP
Format	2/3"φ11mm
Magnification	0.3x
Working Distance	111mm
Resolving Power *1	14.5μm
Depth of Field *2	5.75mm
NA	0.023
Effective F number	6.5
TV Distortion	0.026%

Field of View	2/3inch	29.3 x 22mm
	1/1.8inch	23.9 x 17.7mm
	1/2inch	21.3 x 16mm
	1/3inch	16 x 12mm
Mount	C-mount	
Weight (with coaxial type)	TBA	
Weight (straight type)	TBA	

TEC-M03110MPC



TEC-M03110MP



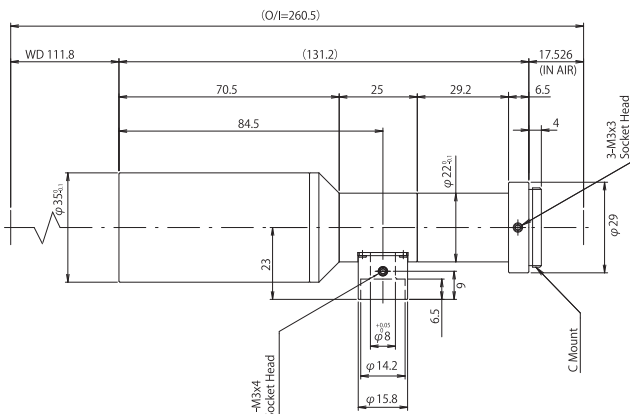
### TEC-M05110MPC / TEC-M05110MP



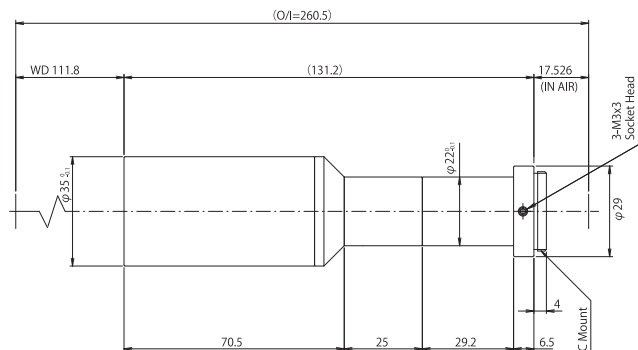
Model (with coaxial type)	TEC-M05110MPC
Model (straight type)	TEC-M05110MP
Format	2/3"φ11mm
Magnification	0.5x
Working Distance	111.8mm
Resolving Power *1	12.7μm
Depth of Field *2	3.03mm
NA	0.026
Effective F number	9.4
TV Distortion	-0.009%

Field of View	2/3inch	17.6 x 13.2mm
	1/1.8inch	14.35 x 10.64mm
	1/2inch	12.8 x 9.6mm
	1/3inch	9.6 x 7.2mm
Mount	C-mount	
Weight (with coaxial type)	131g	
Weight (straight type)	128g	

TEC-M05110MPC



TEC-M05110MP



\* 1 : Theoretical resolution calculated with a wavelength of 550nm

\* 2 : Value calculated with a permissible circle of confusion of 40μm

# TEC M-SERIES

WD-110mm

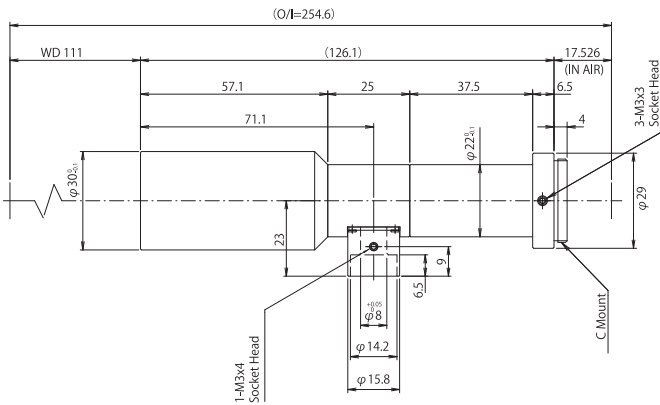
## TEC-M08110MPC / TEC-M08110MP



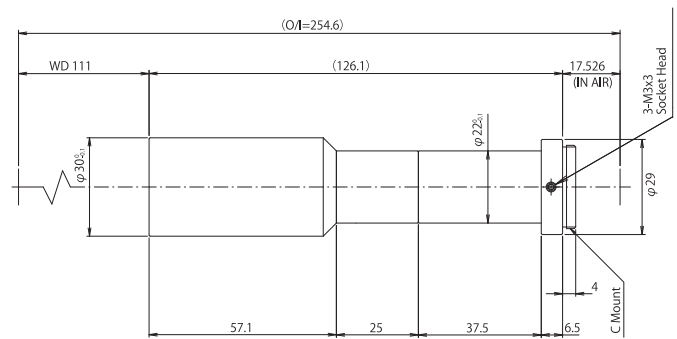
Model (with coaxial type)	TEC-M08110MPC
Model (straight type)	TEC-M08110MP
Format	2/3"φ11mm
Magnification	0.8x
Working Distance	111mm
Resolving Power *1	8.8μm
Depth of Field *2	1.31mm
NA	0.038
Effective F number	10.2
TV Distortion	-0.027%

Field of View	2/3inch	11 x 8.25mm
	1/1.8inch	8.97 x 6.65mm
	1/2inch	8 x 6mm
	1/3inch	6 x 4.5mm
Mount	C-mount	
Weight (with coaxial type)	106g	
Weight (straight type)	103g	

TEC-M08110MPC



TEC-M08110MP



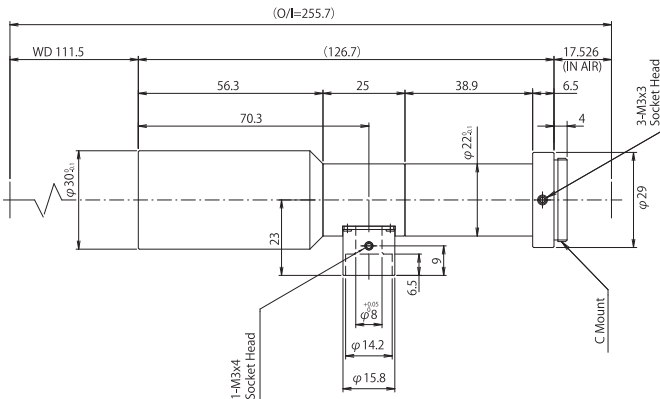
## TEC-M10110MPC / TEC-M10110MP



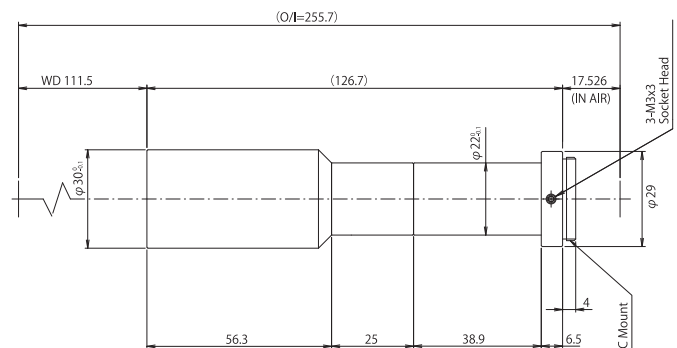
Model (with coaxial type)	TEC-M10110MPC
Model (straight type)	TEC-M10110MP
Format	2/3"φ11mm
Magnification	1x
Working Distance	111.5mm
Resolving Power *1	6.9μm
Depth of Field *2	0.82mm
NA	0.049
Effective F number	10.1
TV Distortion	-0.003%

Field of View	2/3inch	8.8 x 6.6mm
	1/1.8inch	7.18 x 5.32mm
	1/2inch	6.4 x 4.8mm
	1/3inch	4.8 x 3.6mm
Mount	C-mount	
Weight (with coaxial type)	108g	
Weight (straight type)	105g	

TEC-M10110MPC



TEC-M10110MP



\* 1 : Theoretical resolution calculated with a wavelength of 550nm  
 \* 2 : Value calculated with a permissible circle of confusion of 40μm

## WD-110mm

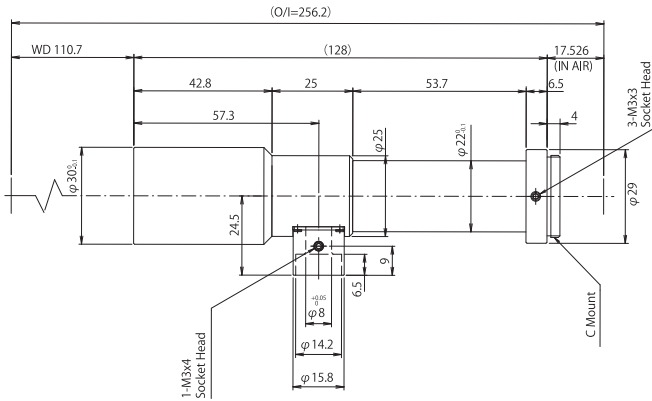
### TEC-M15110MPC / TEC-M15110MP



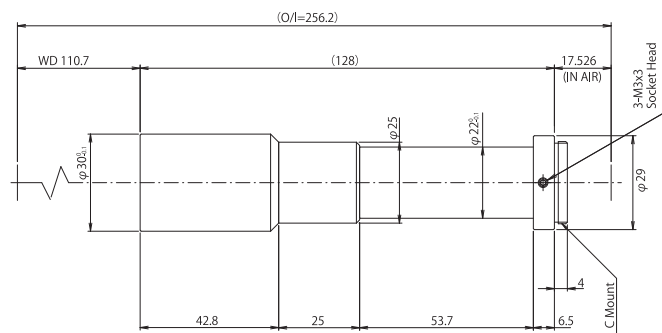
Model (with coaxial type)	TEC-M15110MPC
Model (straight type)	TEC-M15110MP
Format	2/3"φ11mm
Magnification	1.5x
Working Distance	110.7mm
Resolving Power *1	5.2μm
Depth of Field *2	0.42mm
NA	0.064
Effective F number	11.5
TV Distortion	0.031%

Field of View	2/3inch	5.87 x 4.4mm
	1/1.8inch	4.79 x 3.55mm
	1/2inch	4.27 x 3.2mm
1/3inch	3.2 x 2.4mm	
Mount	C-mount	
Weight (with coaxial type)	110g	
Weight (straight type)	108g	

TEC-M15110MPC



TEC-M15110MP



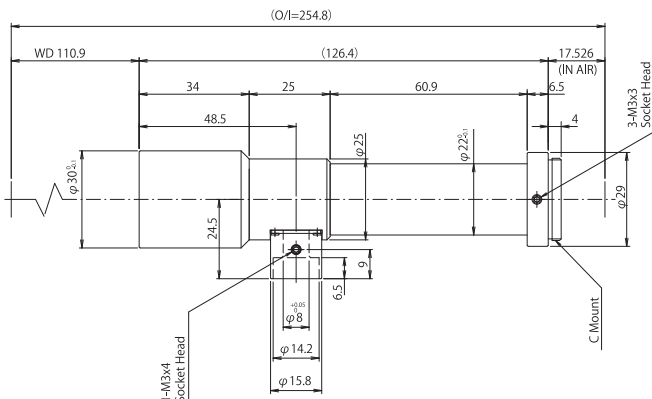
### TEC-M20110MPC / TEC-M20110MP



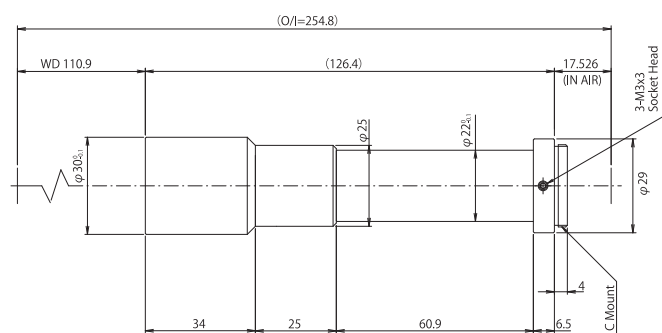
Model (with coaxial type)	TEC-M20110MPC
Model (straight type)	TEC-M20110MP
Format	2/3"φ11mm
Magnification	2x
Working Distance	110.9mm
Resolving Power *1	4.5μm
Depth of Field *2	0.27mm
NA	0.075
Effective F number	13
TV Distortion	-0.019%

Field of View	2/3inch	4.4 x 3.3mm
	1/1.8inch	3.59 x 2.66mm
	1/2inch	3.2 x 2.4mm
1/3inch	2.4 x 1.8mm	
Mount	C-mount	
Weight (with coaxial type)	115g	
Weight (straight type)	113g	

TEC-M20110MPC



TEC-M20110MP



\* 1 : Theoretical resolution calculated with a wavelength of 550nm  
 \* 2 : Value calculated with a permissible circle of confusion of 40μm

## America

### **CBC AMERICAS CORP.** **North Carolina**

2000 Regency parkway, Suite 600  
Cary, NC, 27518, U.S.A.  
TEL : +1 919 230 8700  
FAX : +1 919 230 2268  
<http://www.computar.com>  
computar@cbcamerica.com

### **CBC AMERICAS CORP.** **Los Angeles Division**

21241 South Western Avenue, Suite #160  
Torrance, CA 90501, U.S.A.  
Tel : +1 877 407 9555  
Fax : +1 310 787 0464  
<http://www.computar.com>  
computar@cbcamerica.com

### **CBC AMERICAS CORP.** **Mexico Branch Office**

Galileo No. 20-101, Col. Polanco,  
Miguel Hidalgo, 11500, Mexico DF  
Tel : +52 55 5280 4660  
Fax : +52 55 5280 3073  
<http://www.computar.com>  
computar@cbcamerica.com

## Europe

### **CBC (EUROPE) GmbH** **Düsseldorf**

Hansaallee 191  
D-40549 Düsseldorf, GERMANY  
Tel : +49 (0)211 53067 0  
Fax : +49 (0)211 53067 180  
<http://www.cbc-europe.com>  
info@cbc-europe.com

### **CBC (EUROPE) GmbH UK Branch** **London**

Unit 9, Garrick Industrial Estate,  
Irving Way, London NW9 6AQ, U.K.  
Tel : +44 (0)20 8732 3300  
Fax : +44 (0)20 8202 3387  
<http://www.cbceurope.com>  
info@cbcuk.com

### **CBC (EUROPE) Srl** **Milan**

Via E. Majorana, 2  
20834-Nova Milanese(MB), ITALY  
Tel : +39 0362 365079  
Fax : +39 0362 40012  
<http://www.computar.it>  
<http://computarganz.it>  
sales@cbceurope.it

### **CBC (Poland) Sp.z o.o.** **Warszawa**

Ul. Anny German 15  
01-794 Warszawa  
Tel : +48 22 633 90 90  
Fax : +48 22 633 90 60  
<http://www.cbcpoland.pl>  
info@cbcpoland.pl

### **CBC Co., Ltd. MOSCOW REP OFFICE** **Moscow**

Office 503B, Entrance#3, Building 1,  
World Trade Center, 12 Krasnopresnenskaya nab.,  
Moscow, 123610, RUSSIA  
Tel : +7 495 258 2161  
Fax : +7 495 258 2160  
<http://www.cbc.ru>  
support@cbc.ru

## China

### **CBC(Beijing) Trading CO.,LTD.** **Beijing**

Room B905-A, Tian Yuan Gang Center,  
No.C2 Dong San Huan Bei-Lu,  
Chaoyang District,  
Beijing, CHINA  
Tel : +86 10 6410 8081 Fax : +86 10 6410 8085  
<http://www.cbc-china.cn/10/>  
kadoi@bjcbc.com.cn

### **CBC (SHANGHAI) Trading CO., Ltd.** **Shanghai**

Room 1801, GIFC, No.1438 HongQiao Road,  
Changning District, Shanghai, CHINA  
Tel : +86 21 3209 2626  
Fax : +86 21 3209 2814  
<http://www.cbc-china.cn/>  
support@cbcs.com.cn

### **CBC (GUANGZHOU) Trading CO., Ltd.** **Guangzhou**

Room 1207, CITIC Praza, No.233 Tian He North  
Road, Guangzhou City, Guangdong Province,  
CHINA  
Tel : +86 20 8752 0039  
Fax : +86 20 8752 0131  
<http://www.cbc-china.cn/>  
lijianhua@gzcbc.com.cn

### **CBC (H.K.) CO., LTD.** **Hong Kong**

Unit 2101, 21/F., Tower 6,  
China Hong Kong City, 33 Canton Road,  
Tsim Sha Tsui, Kowloon, Hong Kong, CHINA  
Tel : +852 2345 8686  
Fax : +852 2342 2908  
<http://www.cbc-china.cn/>  
larrywong@cbc.com.hk

## Asia

### **CBC. S PTE LTD.** **Singapore**

2 Leng Kee Road, #03-04  
Thye Hong Centre, SINGAPORE 159086  
Tel : +65 6275 1221  
Fax : +65 6475 0633  
<http://www.cbcsingapore.com/>  
enquiries@cbcs.com.sg

### **CBC (Thailand) Co.,Ltd.** **Bangkok**

23rd Floor, ITF Tower 2, 140/53-55  
Silom Road, Suriyawongse,  
Bangrak, Bangkok 10500  
THAILAND  
Tel : +66 2231 6181  
Fax : +66 2231 6180  
<http://www.cbcthailand.com/>

### **CBC Corporation (India) Private Limited** **Mumbai**

2F B Wing, Marwah Centre,  
Krishanlal Marwah Marg,  
Andheri East, Mumbai 400 072, INDIA  
Tel : +91 22 2857 9798  
Fax : +91 22 6649 1708  
enquiry@cbcindia.jp

### **PT. CBC PRIMA** **Jakarta**

MidPlaza II Building, 12th Floor,  
Jl.Jend.Sudirman Kav. 10-11  
Jakarta Pusat, 10220, INDONESIA  
Tel : +62 21 570 7590  
Fax : +62 21 570 7591

### **T-CBC (TAIWAN) CO., Ltd.** **Taiwan**

Room D, 10th Floor, No.365 Fushing N. Rd.,  
Taipei, 10543, TAIWAN, R. O. C.  
Tel : +886 2 6600 8001  
Fax : +886 2 6600 5211  
<http://www.t-cbc.com.tw/>  
cbc@t-cbc.com.tw



Image & Information Technology Division  
2-15-13, Tsukishima, Chuo-ku, Tokyo  
104-0052, Japan  
TEL:+81(0)3 3536 5021  
FAX:+81(0)3 3536 4841

[www.computar.com](http://www.computar.com)  
[www.computar-global.com](http://www.computar-global.com)